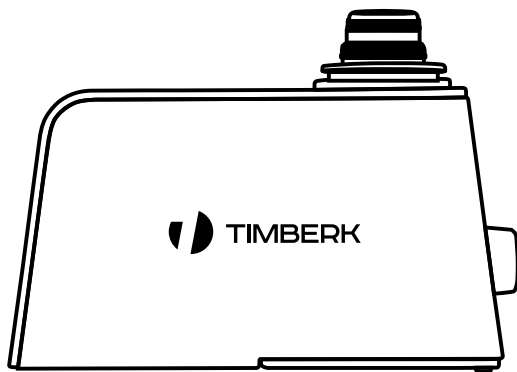




## Instruction manual Руководство по эксплуатации

Электрический  
увлажнитель  
воздуха

*Electric  
humidifier*



### Модели/Models:

THU MINI 02

Цвета \ Colors \*

(W) - белый \ white  
(BL) - черный \ black  
(O) - оранжевый \ orange  
(P) - розовый \ pink  
(GN) - зеленый \ green

Руководство по эксплуатации включает в себя  
гарантийный талон

Outlook of devices, aslo colour scores can be revised without any special advance notices.

Производитель вправе менять внешний вид прибора и цветовую гамму прибора без специального уведомления.

\* - Указано в дополнительной маркировке модели \ Specified in the additional marks of modes name

- Цвета для всего изделия и/или ряда его частей \ The colors for the whole unit and/or its parts

## TABLE OF CONTENTS

1. Important information	2
2. Safety rules	3
3. Specifications	4
4. Description of the unit	4
5. Scope of delivery	4
6. Filling the tank with water	5
7. Operation of the unit	5
8. Cleaning and servicing the unit	6
9. Troubleshooting	7
10. Transportation and storage	7
11. Disposal	7

### Dear customer!

**Thank you for your good choice and purchase of a TIMBERK humidifier. It will serve you for a long time!**

**The humidifier increases relative air humidity in a room and stabilizes its microclimate, allowing to avoid harmful conditions of decreased humidity.**

**Please, read this instruction manual carefully prior to using the product!**

## 1. IMPORTANT INFORMATION

The manufacturer reserves the right to make changes in the design, scope of delivery or product manufacturing process in order to improve its properties without any prior notice of the customer. The text and digital designations in this instruction manual may contain misprints.

If after reading the instruction manual you still have question as to the operation and use of the unit, contact the seller or the specialized service center for clarification. The product has a tag specifying all necessary technical data and other useful information about the unit.

Use this unit only for the purpose, listed in this manual.

The humidifier is intended to humidify room air. Comfortable conditions are provided at relative air humidity of 40 to 60%. Insufficient air humidity results in dehumidification of mucous membranes which in its turn is the cause of decrease in immunity, head ache, cracking of lips, "sandpaper" in the eyes, also enables development of infection and causes respiratory illnesses, fatigue, increased eye fatigue and worsening of attention concentration, and has negative effect on pets and indoor plants, and causes increased dust generation and electrostatic charging of synthetic fabrics.

## 2. SAFETY RULES

Prior to using the humidifier please read this instruction manual carefully and keep it for future reference.

When using the unit, you need to follow a number of precautions. Improper operation as a result of ignoring precautions may harm health of the user and other people, as well as damage their property. The humidifier is intended to operate in living quarters provided specified operation conditions are observed. Inappropriate operation of the humidifier may cause situation, dangerous for people's lives and health.

The electrical unit must be supervised when in operation, especially if there are children nearby. The unit is not intended for use by people (including children) with reduced physical, sensory or mental capabilities, or lacking experience and knowledge, unless they have been given supervision or instruction as to the use of the unit by an individual responsible for their safety. Children should be supervised to ensure they do not play with the unit.

Do not use the unit for purposes not specified by this instruction manual.

The humidifier must be used only with the original power supply unit included in the scope of delivery.

The humidifier must not be used if its power supply unit is damaged, as well as if the humidifier is inoperable, damaged upon falling down or due to other circumstances. The humidifier must be used only fully assembled.

To avoid being burned do not touch the humidifier's membrane when it is operating. The membrane gets very heated due to high membrane's oscillation frequency.



### NOTE:

High-frequency oscillations of the membrane of the ultrasonic humidifier are not audible and are completely safe for people and pets.

To avoid electric shock, a damaged power supply unit must be replaced only in authorized service centers by qualified specialists. To avoid electric shock, do not place the power cord next to heating appliances and flammable or combustible substances.

To avoid injuries and property damage do not try to repair the humidifier by yourself. To repair the humidifier contact the manufacturer's authorized service center.

Take the power cord out from an electric outlet in the following cases: prior to water discharge and filling of the tank; prior to cleaning and technical maintenance; prior to assembly/disassembly of humidifier's elements; prior to relocating the humidifier.

Install the humidifier on an even dry surface. Steam, coming out from the humidifier, can damage surfaces it comes into contact with. Do not install the humidifier on the floor, as well as in close vicinity to heating appliances, walls, furniture and other things.

The manufacturer and the seller are not responsible for damages, incurred due to improper location of the humidifier.

The humidifier should be installed on some sort of an elevation, for example, on a table, stand, etc. at the distance of not less than 60 cm from the floor and not less than 10 cm from the wall.

It is forbidden to pour water into the humidifier through the atomizer.

Do not immerse the humidifier into water or other fluids.

Do not install the humidifier in the aisle or other places, where it can be pushed, tipped over, etc.

If you do not use the humidifier, disconnect it from the power line.

Do not lay the power cord under a carpet or other things. Place the humidifier so that you couldn't touch the power cord.

Do not use the humidifier in damp rooms. Excessive room humidity may cause water condensation on windows and furniture. If this is the case, turn off the humidifier.

Do not let foreign objects get into the humidifier.

Do not obstruct the humidifier's air intake and atomizer by foreign objects.

Do not sit, stand and put heavy objects on the humidifier.

To avoid damaging the humidifier, do not add essential oils, preservation agents, fragrances and other foreign admixtures into the water used for humidification. The manufacturer and the seller are not responsible for damage of the humidifier incurred as a result of failure to comply with this requirement.

When disconnecting the humidifier from the power line, do not pull the power cord and do not touch it with wet hands.

### 3. SPECIFICATIONS

Table 1

Specifications	UoM	Value
Humidification capacity	ml/h	80
Power supply	V/Hz	220~/50
Working voltage of the unit (direct current)	V	24
Recommended water tank up to (plastic bottle) *	l	0.5
Rated power	W	12
Rated current	A	0.4
Protection rating	-	IPX0
Electric protection category	-	III
Dimensions of the unit	mm	147x78x83.5
Dimensions of the package	mm	184x155x100
Net weight	kg	0.38
Gross weight	kg	0.5
Recommended floor area	m <sup>2</sup>	10-15

\* Not included in the scope of delivery

The manufacturer reserves the right to change component parts of the product for various delivery batches without any prior notice (including components to be poured/filled in), not affecting the main technical parameters of the product or improving them, as well as not violating quality standards and statutory regulations, adopted within the country of manufacture/transit/sales, by such changes.

This can cause changes in the weight and overall dimensions of the product, but not more than by +/- 5-20% (subject to variation for different types of the product).

### 4. DESCRIPTION OF THE UNIT

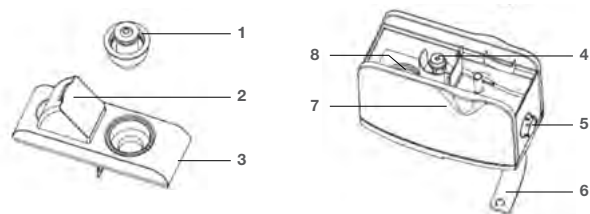


Fig. 1

1. Water intake (cover with a valve of the water tank)
2. Atomizer
3. Case cover
4. Water level sensor float
5. On/Off and steam outflow intensity regulator
6. Support
7. Case of the unit
8. Ultrasonic membrane

### 5. SCOPE OF DELIVERY

1. Humidifier 1 pc.
2. Power supply unit to connect the unit to the power line 1 pc.
3. Cleaning brush 1 pc.
4. Instruction manual and warranty card 1 pc.
5. Package 1 pc.
6. Case for the unit 1 pc.
7. Water intake for bottles of various type 2 pcs.

## 6. FILLING THE TANK WITH WATER

Follow Fig. 2 to fill in the tank.

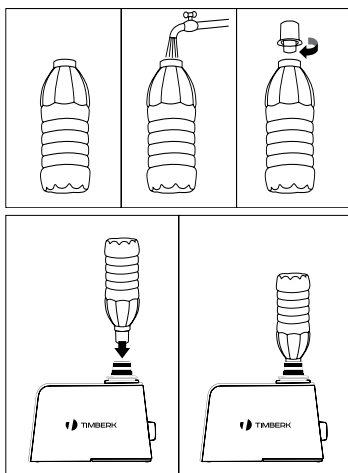


Fig. 2



### IMPORTANT!

Treated tap water is best suited for the unit, use an ordinary domestic water filter. It is necessary to increase the unit's life cycle, as well as to eliminate generation of white sediment around the unit. When using untreated water they are released together with steam and settle on the surrounding objects and surfaces. Though these substances are considered safe for people, in large quantities they may have harmful effect on furniture.

To avoid electric shock, prior to disassembling the unit (removing the tank), disconnect the unit from the power line! Do not fill the tank with other liquids but tap water.



### IMPORTANT!

Different composition of liquids has harmful effect on internal parts and causes failures.

Do not fill the unit or the water tank with such additives as essential oils, fragrances, cleaning agents, chemical medical drugs, warm water (above 40°), etc.

Otherwise, the water tank and internal parts of the unit will be damaged and inoperable.

Do not fill water directly into the internal part of the unit or the atomizer.

Water inside the unit may cause failure of the unit.

## 7. OPERATION OF THE UNIT

### Switching the unit on/off, regulating the steam outflow intensity

Connect the unit to the power line, having filled the tank with water and installed it to the humidifier before that.

Pull the unit's legs apart and lift up the atomizer.

Turn the on/off and steam outflow intensity regulator to the right. The unit will switch on, the atomizer's backlight will light up and steam will start outflowing from it. At the very beginning of this operation, the atomizing level may appear unstable, which is caused by the temperature difference and water quality. This process will stabilize in a short amount of time. The more steam outflow, the stronger and faster air humidification. Comfortable conditions are provided at the relative air humidity of 40 to 60%. You can determine your favorable humidity level according to your own feelings or use a special tool for this – hygrometer\*, which measures the level of relative humidity.

When water level goes lower than the minimum permissible level, the unit's ultrasonic membrane will be switched off automatically, at the same time the atomizer's backlight will light down. Fill the tank with water to continue operation of the unit.

To switch off the unit turn the on/off and steam outflow intensity regulator into «OFF» position or lift down the atomizer, at the same time the atomizer's stand will light down.

\* not included in the delivery set



### IMPORTANT!

When the unit is operating, you must not remove the water tank or the upper cover until there is water in them. Otherwise, the water level inside the unit will rise, which may cause its failure or malfunction (steam will stop outflowing). To resume the operation in case of malfunction, disconnect the unit from the power line and drain water. Important! Drain water from the unit only towards the atomizer's spout (i.e. to the right, when looking at the on/off regulator).



### NOTE:

When using the humidifier, you may come across condensate generation of objects next to it, including water accumulation, which is not a defect, but a feature of its operation. This feature may have several causes, listed in table 2 on page 7.

## 8. CLEANING AND SERVICING THE UNIT

Prior to cleaning the unit make sure the power supply's plug is disconnected from the outlet. Otherwise, it may cause electric shock.

Prior to cleaning remove the case cover and wait until water, remaining in the unit's case, completely cools down.

Clean the unit once or twice a week.

8.1. Use a damp and soft fabric to wipe internal surface of the unit.

To avoid electric shock do not scratch or damage elements of the unit when cleaning.

When cleaning, do not use solvents, benzene, xylene, scrub brush, talc powder and other substances except for water.

8.2. Wipe off remains of water inside the unit's case using a damp and soft fabric.

To wipe off remains of water on small parts you can use a soft brush and then wipe them with a soft fabric again.

8.3. In case of dirt (scale) on the membrane, clean it with a soft brush.

8.4. Use a soft brush to wipe off remains of water on the surface of the atomizer's nozzle, and then wipe it with a soft fabric again.

8.5. Clean the water intake and the atomizer with clean water, as well as the case cover. Do it carefully and lightly.

After removing water from the atomizer's surface clean it with a soft fabric. Clean the unit's external surface with a damp and soft fabric.



### IMPORTANT!

To avoid deformation or wear of working surfaces, resulting in decreased atomizing or other malfunctions, do not use metallic brushes, blades or talc powder to wipe the atomizer's surface.

In case of water leakage, immediately stop using the unit and contact a service center.

To keep the unit dry, remove water after cleaning and make sure to dry the unit's case.

Make sure that there is no water left inside the unit's case.

Prior to a long break in using the unit, dry its surface and pack it into a plastic bag, then put it into a box.

Store the unit in a low-humidity room.

Storing the unit undried results in generation of mold.

## 9. TROUBLESHOOTING

In case of emergencies use troubleshooting methods, listed in Table 2. If it is impossible to remedy problems by the listed methods, contact the manufacturer's service center.

Table 2

Problem	Possible cause	Remedy
Poor atomizing (insufficient capacity)	The unit is operating in the minimized mode (low atomizing frequency)	There is no problem. If you need to switch to the intensive mode of operation, turn the regulator handle all the way to the right.
	The atomizer is clogged	Clean the atomizer.
	Temperature of water in the tank is too low	Set maximum capacity. The humidifier's capacity will go up after a while.
No atomizing	The power cord is poorly connected to the outlet	Connect the power cord into the outlet carefully
There is white deposit on objects around the humidifier (salts, separating out from water)	1. Lime deposits have formed on the membrane 2. There is a lot of salts in the water used (calcium and magnesium)	1. Clean the humidifier's membrane with a special brush 2. Use filtered water
Steam has an unpleasant odor	Stale water is used	Clean the unit according to the cleaning and servicing instructions and fill the tank with fresh water
	Remains of stale water or waste have accumulated in the unit's case or the atomizer	
Condensate is formed on the upper part of the humidifier and on surrounding objects, when it is operating.	1. High humidification intensity is set. 2. High room humidity and temperature.	Lower the humidification intensity by turning the on/off and steam outflow intensity regulator counterclockwise.
Water appears next to the humidifier, when it is operating.	1. High humidification intensity is set. 2. Lime deposits have formed on the membrane and in grooves for water (in the unit's base).	1. Lower the humidification intensity by turning the on/off and steam outflow intensity regulator counterclockwise. 2. Clean the unit according to the cleaning and servicing instructions.

## 10. TRANSPORTATION AND STORAGE

- When transporting, any possible impacts and movements of the package inside a vehicle must be avoided.
- Handling symbols on the unit's package must be strictly observed when transporting and storing it.

3. <b>Temperature requirements*</b> <b>Humidity requirements*</b>	<b>Transportation and storage</b>	<b>-30°C to +50°C</b>
		<b>15% to 85% (no condensate)</b>

We are researching new technologies and constantly improving the quality of our products. Specifications, design and scope of delivery may be changed without any prior notice.

\* Products must be stored in dry, ventilated storages at the temperature not lower than -30°C.

## 11. DISPOSAL

The humidifier's life is 2 years. At the end of life, the humidifier must be disposed in accordance with regulations, rules and method, effective in the disposal area.

## СОДЕРЖАНИЕ

1. Важная информация	8
2. Правила безопасности	9
3. Технические характеристики	10
4. Описание прибора	10
5. Комплектация	11
6. Наполнение резервуара водой	11
7. Эксплуатация прибора	12
8. Чистка и обслуживание прибора	13
9. Гарантийный талон	14

### Уважаемый покупатель!

**Благодарим Вас за удачный выбор и приобретение увлажнителя воздуха TIMBERK. Он прослужит Вам долго.**

**Увлажнитель воздуха повышает относительную влажность воздуха в помещении и нормализует микроклимат, помогая избежать пагубных явлений пониженной влажности.**

**Просим вас внимательно ознакомиться с руководством по эксплуатации перед тем, как вы начнете эксплуатацию изделия!**

## 1. ВАЖНАЯ ИНФОРМАЦИЯ

Производитель оставляет за собой право без предварительного уведомления покупателя вносить изменения в конструкцию, комплектацию или технологию изготовления изделия с целью улучшения его свойств. В тексте и цифровых обозначениях данного руководства могут быть допущены опечатки.

Если после прочтения руководства у Вас останутся вопросы по работе и эксплуатации прибора, обратитесь к продавцу или в специализированный сервисный центр для получения разъяснений. На изделии присутствует этикетка, на которой указаны все необходимые технические данные и другая полезная информация о приборе.

Используйте прибор только по назначению, указанному в данном руководстве.

Увлажнитель предназначен для увлажнения воздуха в помещении. Комфортные условия достигаются при относительной влажности воздуха от 40 до 60%. Недостаточная влажность воздуха приводит к высушиванию слизистых оболочек, что в свою очередь является причиной снижения иммунитета, головной боли, растрескивания губ, жжения в глазах, благоприятствует развитию инфекции и заболеваниям дыхательных путей, вызывает утомление, приводит к повышенной усталости глаз и ухудшению концентрации внимания, отрицательно влияет на состояние домашних животных и комнатных растений, приводит к усилению пылеобразования, повышению электростатического заряда синтетических тканей.



## 2. ПРАВИЛА БЕЗОПАСНОСТИ

Перед вводом в эксплуатацию увлажнителя внимательно изучите данное руководство по эксплуатации и храните его для дальнейшего использования.

При использовании прибора, необходимо соблюдать ряд мер предосторожности. Неправильная эксплуатация в силу игнорирования мер предосторожности может привести к причинению вреда здоровью пользователя и других людей, а также нанесению ущерба их имуществу. Увлажнитель предназначен для работы в жилых помещениях с соблюдением указанных условий эксплуатации. Использование увлажнителя не по назначению может создавать ситуации, опасные для жизни и здоровья людей.

Электроприбор должен находиться под наблюдением во время его эксплуатации, особенно, если неподалёку от него находятся дети. Устройство не предназначено для использования лицами (включая детей) с ограниченными физическими, сенсорными или умственными возможностями, обладающими недостаточным опытом и знаниями, если они не находятся под наблюдением и не получили инструкций по использованию устройства от лица, ответственного за их безопасность. Необходимо следить, чтобы дети не играли с устройством.

Не используйте устройство, в целях, непредусмотренных этим руководством по эксплуатации.

Увлажнитель должен использоваться только с оригинальным блоком питания из комплекта поставки.

Не допускается эксплуатировать увлажнитель, если его блок питания имеет повреждения, а также, если увлажнитель неисправен, поврежден при падении или при других обстоятельствах. Увлажнитель должен эксплуатироваться только в полностью собранном виде.

Во избежание ожога при работающем увлажнителе не прикасайтесь к мембране увлажнителя. Из-за высокой частоты колебаний мембрана сильно нагревается.



### ПРИМЕЧАНИЕ:

Высокочастотные колебания мембраны ультразвукового увлажнителя не слышны и совершенно безопасны для людей и домашних животных.

Во избежание опасности поражения электрическим током, поврежденный блок питания должен меняться только в авторизованных сервисных центрах квалифицированными специалистами. Во избежание опасности поражения электрическим током не размещайте шнур блока питания рядом с нагревательными приборами и легковоспламеняющимися или горючими веществами.

Во избежание травм и повреждения имущества не пытайтесь самостоятельно ремонтировать увлажнитель. Для ремонта увлажнителя обращайтесь в авторизованный сервисный центр производителя.

Вынимайте блок питания увлажнителя из сетевой розетки в следующих случаях: перед сливом или заправкой резервуара водой; перед чисткой и техническим обслуживанием; перед монтажом/демонтажем элементов увлажнителя; перед перемещением увлажнителя на другое место.

Устанавливайте увлажнитель на ровной сухой поверхности. Выходящий из увлажнителя пар может повредить резервуары, на которые он попадает. Не устанавливайте увлажнитель на пол, а также в непосредственной близости от отопительных приборов, стен, мебели и других предметов.

За повреждения, полученные из-за неправильного расположения увлажнителя, изготовитель и продавец ответственности не несут.

Увлажнитель следует установить на каком-либо возвышении, например, на столе, тумбе и т.п. на расстоянии не менее 60 см от пола и не менее 10 см от стены.

Не допускается заливать в увлажнитель воду через распылитель.

Не погружайте увлажнитель в воду или другие жидкости.

Не устанавливайте увлажнитель на проходе или в других местах, где его могут задеть, опрокинуть и т.п.

Если увлажнитель не используется, отключите его от сети электропитания.

Не прокладывайте шнур блока питания под ковром или другими предметами. Расположите увлажнитель так, чтобы случайно не задеть шнур блока питания.

Не используйте увлажнитель во влажных помещениях. Чрезмерная влажность в помещении может привести к конденсации воды на окнах и на предметах мебели. Если это происходит, выключите увлажнитель.

Не допускайте попадания в увлажнитель посторонних предметов.

Не загромождайте посторонними предметами воздухозаборное отверстие и распылитель увлажнителя.

Не садитесь, не вставайте и не ставьте тяжелые предметы на увлажнитель.

Во избежание повреждения увлажнителя не добавляйте в используемую для увлажнения воду эфирные масла, консервирующие добавки, ароматизаторы и другие посторонние примеси. За повреждения увлажнителя, полученные из-за невыполнения данного требования, изготовитель и продавец ответственности не несут.

При отключении увлажнителя от сети электропитания не тяните за шнур блока питания и не дотрагивайтесь до него влажными руками.

### 3. ТЕХНИЧЕСКИЕ ХАРАКТЕРИСТИКИ

Табл. 1

Технические характеристики	Ед. изм.	Значение
Производительность по увлажнению	мл/ч	80
Параметры электропитания	В/Гц	220~/50
Рабочее напряжение прибора (постоянный ток)	В	24
Рекомендуемый резервуар для воды до (пластиковая бутылка)*	л	0,5
Номинальная потребляемая мощность	Вт	12
Номинальный ток	А	0,4
Степень защиты	-	IPX0
Класс электрозащиты	-	III
Размеры прибора	мм	147x78x83,5
Размеры упаковки	мм	184x155x100
Вес нетто	кг	0,38
Вес брутто	кг	0,5
Рекомендуемая площадь помещения	м <sup>2</sup>	10-15

\* Не входит в комплект поставки

Производитель оставляет за собой право для разных партий поставок без предварительного уведомления изменять комплектующие части изделия (включая заливаемые\засыпаемые составляющие), не влияя при этом на основные технические параметры изделия или улучшая их, а также не нарушая изменениями принятые на территории страны производства\транзита\реализации стандарты качества и нормы законодательства.

Это может повлечь за собой изменение веса и габаритов изделия, но не более чем на +/- 5-20% (могут отличаться для разного вида изделий).

### 4. ОПИСАНИЕ ПРИБОРА

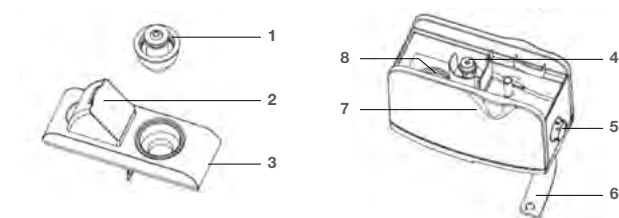


Рис. 1

1. Водоприемник (крышка с клапаном резервуара для воды)
2. Распылитель
3. Крышка корпуса
4. Поплавок датчика уровня воды
5. Регулятор включения/выключения и интенсивности выхода пара
6. Опора
7. Корпус прибора
8. Ультразвуковая мембрана

## 5. КОМПЛЕКТАЦИЯ

1. Увлажнитель воздуха 1 шт.
2. Блок питания для подключения прибора к электросети 1 шт.
3. Кисточка для очистки 1 шт.
4. Руководство по эксплуатации и гарантийный талон 1 шт.
5. Упаковка 1 шт.
6. Футляр для хранения прибора 1 шт.
7. Водоприемник для бутылок различного типа 2 шт.

## 6. НАПОЛНЕНИЕ РЕЗЕРВУАРА ВОДОЙ

Для наполнения резервуара руководствуйтесь рисунком 2.

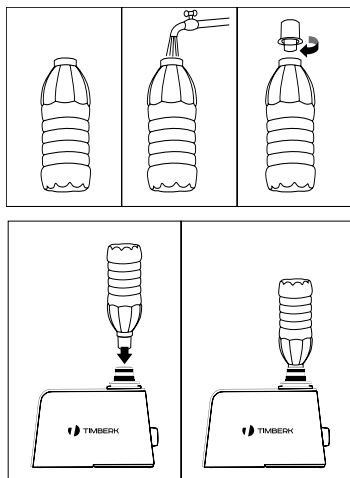


Рис. 2



### ВНИМАНИЕ!

Для работы прибора лучше использовать очищенную водопроводную воду, для этого воспользуйтесь обычным бытовым фильтром для воды. Это нужно для того, чтобы прибор дольше служил, а также для того, чтобы вокруг прибора не образовывался белый осадок. Белый осадок – это кальций и магний, которые входят в состав обычной водопроводной воды. При использовании не очищенной воды они выпускаются вместе с паром и оседают на окружающие предметы и поверхности. Хотя эти вещества являются безопасными для людей, в больших количествах они могут оказывать вредное воздействие на мебель.

Во избежание поражения электрическим током, перед тем, как разбирать прибор (снимать резервуар), отключите прибор от электросети! Не наполняйте резервуар иными жидкостями, за исключением водопроводной воды.

Другой состав жидкостей оказывает вредное воздействие на внутренние детали и приводит к неисправности.

Не наполняйте устройство или резервуар для воды такими добавками как эфирное масло, ароматизирующее вещество, моющее средство, химические лекарственные препараты, теплая вода (свыше 40°) и т. д.

В противном случае резервуар для воды и внутренние детали устройства повредятся и придут в неисправность.

Не заливайте воду непосредственно во внутреннюю часть устройства или распылитель. Наличие воды внутри устройства может привести к неисправности прибора.

## 7. ЭКСПЛУАТАЦИЯ ПРИБОРА

### **Включение, выключение прибора, регулировка интенсивности выхода пара.**

Подключите прибор к электросети, предварительно наполнив резервуар водой и установив его на увлажнитель.

Разведите ножки прибора и поднимите вверх распылитель.

Поверните регулятор включения/выключения и интенсивности выхода пара вправо. Прибор включится, загорится подсветка распылителя и из него пойдет пар. В самом начале этой операции уровень распыления может оказаться нестабильным, что вызвано разностью температуры и качеством воды. Потребуется короткое время для того, чтобы этот процесс стабилизировался. Вращая регулятор влево и вправо, вы можете регулировать интенсивность пара. Чем больше пара выходит, тем сильнее и быстрее происходит увлажнение воздуха. Комфортные условия достигаются при относительной влажности воздуха от 40 до 60%. Вы можете определить благоприятный для вас уровень влажности по собственным ощущениям, либо использовать для этого специальный прибор – гигрометр\*, измеряющий уровень относительной влажности.

При понижении уровня воды ниже минимального допустимого, ультразвуковая мембрана прибора автоматически отключится, при этом подсветка распылителя погаснет. Для продолжения работы необходимо наполнить резервуар водой.

Для выключения прибора установите регулятор включения/выключения и интенсивности выхода пара в положение «OFF» или опустите вниз распылитель, при этом подсветка распылителя погаснет.

\* Не входит в комплект поставки



### **ВНИМАНИЕ!**

В процессе работы нельзя снимать с прибора ёмкость с водой или верхнюю крышку до тех пор, пока в них находится вода. В противном случае уровень воды внутри прибора повысится, что может привести к поломке или нарушению работы увлажнителя (пар перестанет идти). Для возобновления работы в случае нарушения отключите прибор от электросети и слейте воду.

Выливать воду из прибора необходимо только в направлении носика распылителя (т. е. вправо, если смотреть на регулятор включения/выключения).



### **ПРИМЕЧАНИЕ:**

При эксплуатации увлажнителя воздуха, вы можете столкнуться с образованием конденсата на предметах рядом с ним, в том числе и скапливание воды, что не является дефектом, а является особенностью работы увлажнителя воздуха. Данная особенность может быть обусловлена некоторыми причинами, указанными в таблице 2 на стр. 13.

## 8. ЧИСТКА И ОБСЛУЖИВАНИЕ ПРИБОРА

Перед началом чистки устройства убедитесь в том, что вилка блока питания отключена от розетки. В противном случае, это может привести к поражению электрическим током.

Перед началом чистки снимайте крышку корпуса и дождитесь полного охлаждения оставшейся воды в корпусе прибора.

Проводите чистку устройства один или два раза в неделю.

8.1. Для протирки внешней поверхности устройства используйте влажную и мягкую ткань.

Во избежание поражения электрическим током не царапайте и не повреждайте при чистке элементы устройства.

Не используйте при чистке прибора растворитель, бензин, диметилбензол, жесткую щётку, тальковую пудру и другие вещества, кроме воды.

8.2. Вытрите остатки воды внутри корпуса прибора влажной и мягкой тканью.

Для удаления остатков воды на мелких деталях можно воспользоваться мягкой щеткой, а затем протереть их снова мягкой тканью.

8.3. При образовании грязи (накипи) на мембране, очистите её с помощью мягкой щёточки.

8.4. Воспользуйтесь мягкой щеткой для стирания остатков воды на поверхности сопла распылителя, а затем протрите его снова мягкой тканью.

8.5. Промойте водоприемник и распылитель чистой водой, а так же крышку корпуса. Промывайте аккуратно и без усилий.

После удаления остатков воды с поверхности распылителя протрите его мягкой тканью. Очистите внешнюю поверхность устройства влажной и мягкой тканью.



### ВНИМАНИЕ!

Во избежание деформации и стирания рабочих поверхностей, ведущих к снижению уровня распыления или другим неисправностям, не пользуйтесь металлическими щетками, лезвиями или тальковой пудрой для протирания поверхности распылителя.

При появлении утечки воды незамедлительно прекратите работу устройства и обратитесь в сервисный центр.

Для поддержания прибора в сухом состоянии удалите воду после очистки и обязательно просушите корпус устройства. Убедитесь в том, что внутри корпуса устройства не осталось воды.

Перед длительной паузой в использовании прибора просушите поверхность устройства и упакуйте увлажнитель в пластиковый пакет, а затем в коробку.

Храните прибор в помещении с низкой влажностью.

Хранение устройства в непросушенном состоянии приводит к появлению плесени.



[www.timberk.com](http://www.timberk.com)

## ГАРАНТИЙНЫЙ ТАЛОН



**Уважаемый покупатель!**

**Обратите внимание на необходимость вашей подписи  
на стр. 18**

## Гарантийные обязательства

**Гарантийное обслуживание и ремонт бытового электрического увлажнителя воздуха TIMBERK с соблюдением требований и норм Изготовителя (TIMBERK) производится на территории РФ только в авторизованных сервисных центрах Изготовителя или мастерских, уполномоченных производителем и работающих с ним на основании договора.**

**Срок проведения экспертизы и гарантийного ремонта - не более 45 дней с момента приемки дефектного изделия авторизованным сервисным центром TIMBERK.**

Если при эксплуатации изделия Вы столкнулись с неполадками в его работе, которые Вы не можете устранить самостоятельно в строгом соответствии с Руководством по эксплуатации изделия, обратитесь к региональному представителю Изготовителя в России или в региональный авторизованный сервисный центр TIMBERK, уточнив адрес у продавца.

Полный перечень сервисных центров указан на сайте [www.timberk.com](http://www.timberk.com) или приложен отдельным списком в комплекте с изделием.

Также Вы можете обратиться в уполномоченную сервисную службу Изготовителя по телефону: +7 (495) 627-5285, либо по телефонам, указанным на сайте: [www.timberk.com](http://www.timberk.com), или отправить сообщение по электронному адресу: [ru.service@timberk.com](mailto:ru.service@timberk.com)

Если отсутствие надлежащим образом заполненного гарантийного талона на изделие или отсутствие чека с указанием изделия не позволяет идентифицировать изделие и факт его продажи на территории РФ, то Изготовитель вправе отказать в гарантийном обслуживании изделия.

При невозможности определить дату продажи изделия, гарантийный срок исчисляется с даты его производства.

Дата производства изделия определяется по реестру Изготовителя в соответствии с серийным номером изделия.

Официальный срок службы бытового электрического увлажнителя воздуха TIMBERK, установленный изготовителем, составляет 3 года, со дня передачи изделия потребителю.

Указанный срок службы действителен только при условии соблюдения правил эксплуатации и правильного ухода за изделием.

Во избежание недоразумений убедительно просим Вас внимательно

изучить Руководство по эксплуатации изделия и условия гарантийных обязательств, проверить правильность заполнения бланка гарантийного талона. Согласно требованиям Изготовителя, гарантийный талон действителен только при наличии четко и правильно указанных данных: модели, серийного номера изделия, даты покупки, данных фирмы-продавца, подписи покупателя. Соответствующие данные также должны быть указаны продавцом на отрывных талонах.

Модель и серийный номер изделия (на маркировочной (идентификационной) наклейке Изготовителя на изделии (TIMBERK ID) должны соответствовать указанным в гарантийном талоне продавцом. При нарушении этих условий, а также в случае, когда данные, указанные в гарантийном талоне, изменены или стерты, талон может быть признан недействительным.

Данным гарантийным талоном Изготовитель подтверждает принятие на себя обязательств по удовлетворению законных требований потребителей в случае обнаружения недостатков изделия, возникших по вине Изготовителя в течение установленного гарантийного срока.

Гарантийный срок для бытового электрического увлажнителя воздуха TIMBERK, установленный изготовителем, составляет 1 год, со дня передачи изделия потребителю.

Для ряда территорий могут действовать исключительные правила гарантии, увеличивающие срок на изделие или компоненты. Такие правила устанавливаются только по распоряжению Производителя официальным письмом Производителя.

Гарантийные обязательства дополняют и уточняют оговоренные законом обязательства, предполагающие соглашение сторон либо договор; выдаются Изготовителем в дополнение к законным правам потребителей и ни в коей мере их не ограничивают.

Гарантия Изготовителя действительна только на территории РФ на изделия, купленные на территории РФ и изготовленные для РФ.



### ВНИМАНИЕ!

Если изделие использовалось в соответствии с его целями применения, установленными Руководством по эксплуатации, в рамках осуществления предпринимательской деятельности, то гарантийный срок изделия составляет 3 (три) месяца с момента продажи изделия или 5 (пять) месяцев с момента производства изделия, если дата продажи не установлена\*.

### Изготовитель оставляет за собой право:

- отказать в гарантийном сервисном обслуживании изделия в случае несоблюдения изложенных ниже условий (см. «Досрочное прекращение гарантийного обслуживания»);
- самостоятельно инициировать независимую экспертизу для выяснения обстоятельств, приведших к выходу прибора из строя;
- сравнивать предоставленную маркировочную (идентификационную) наклейку изделия (TIMBERK ID) с данными реестров производства для проверки соответствия серийного номера изделия уникальным производственным номерам реестров.

Просим Вас хранить Гарантийный талон в течение всего гарантийного срока, установленного Изготовителем на приобретенное Вами изделие.

При покупке изделия требуйте от продавца проверку его комплектности и отсутствия механических повреждений в Вашем присутствии, а также правильного и четкого заполнения данного гарантийного талона. Претензии по некомплектности и выявленным механическим повреждениям после продажи изделия не принимаются.

Для гарантийного ремонта предъявляйте данный Гарантийный талон вместе с товарным (кассовым) чеком или другим документом, подтверждающим дату и факт продажи изделия на территории РФ.

### Досрочное прекращение гарантийного обслуживания.

Все условия гарантийного обслуживания регулируются Законодательством РФ и Законом РФ «О защите прав потребителей». В частности, отказ в бесплатном гарантийном обслуживании изделия может быть вызван:

- нарушением при оформлении гарантийного талона при продаже изделия;
- отсутствием товарного или кассового чека о продаже изделия или невозможностью определить продавца изделия;
- наличием следов механических повреждений, возникших после передачи изделия потребителю и явившихся возможной причиной возникновения дефекта;
- наличием повреждений, вызванных несоответствием стандартам параметров питающих сетей и других подобных внешних факторов, а также вызванных использованием нестандартных, неоригинальных (или некачественных) аксессуаров, принадлежностей, запасных частей, элементов и т.д.;

- нарушением правил Руководства по эксплуатации данного изделия;
- наличием следов несанкционированного вскрытия и/или ремонта изделия, повлекших за собой отказ в работе изделия;
- дефектом или отказом системы или ее части, где изделие использовалось как часть системы и это могло привести к дефекту или отказу изделия.

**Гарантийные обязательства не распространяются на перечисленные ниже части и принадлежности изделия, если их замена не связана с разборкой самого изделия или их замена требуется при профилактическом обслуживании:**

- дополнительные приспособления, инструмент и документацию, прилагаемую к изделию;
- расходные части изделия, подразумевающие периодическую замену за счет потребителя (фильтрующие элементы и др.);
- части и узлы изделия, неисправность которых связана с естественным износом в процессе эксплуатации (фильтрующие элементы и т.д.);
- материалы, наклеенные на изделие, имеющие рекламное или информационное назначение, за исключением маркировочной (идентификационной) наклейки Изготовителя (TIMBERK ID).



### ВНИМАНИЕ!

Если в результате экспертизы/диагностики изделия установлено, что его недостатки возникли вследствие обстоятельств, за которые не отвечает продавец (изготовитель), либо недостатки в товаре отсутствуют, Потребитель обязан возместить продавцу (изготовителю или уполномоченной изготовителем организации) расходы на проведение экспертизы (диагностики), а также связанные с ее проведением расходы на хранение и транспортировку товара в соответствии с Законом РФ «О защите прав потребителей» № 171-ФЗ в ред. от 21.12.2004 ст. 18 п.5.



### Изготовитель не несет гарантийных обязательств за изделие в следующих случаях:

- если изделие использовалось в иных целях, не соответствующих его прямому назначению в соответствии с Руководством по эксплуатации;
- если на изделии отсутствует маркировочная (идентификационная) табличка Изготовителя (TIMBERK ID);
- если изделие имеет следы несанкционированного вскрытия, не предусмотренного Руководством по эксплуатации, и попыток неквалифицированного ремонта;
- если дефект вызван изменением/нарушением конструкции или схемы изделия, не предусмотренным Изготовителем;
- если обнаружены повреждения, вызванные попаданием внутрь изделия посторонних предметов, веществ, жидкостей, насекомых, скоплением большого количества пыли;
- если обнаружены повреждения, связанные с замерзанием внутри прибора жидкостей, отложением накипи на ультразвуковой мембране или внутренних поверхностях прибора, вызванных большим содержанием в воде солей железа, натрия, кальция, марганца и др.;
- если обнаружены повреждения, вызванные подключением к электрической сети с недопустимыми параметрами;
- если дефект вызван действием непреодолимых сил, несчастными случаями, умышленными или неосторожными действиями потребителя или третьих лиц;
- неправильного хранения (консервации / разборки-сборки на период хранения) изделия;

Изготовитель снимает с себя любую ответственность за возможный вред, прямо и или косвенно нанесенный продукцией TIMBERK людям, домашним животным, и имуществу, в случаях, если это произошло в результате несоблюдения правил и условий эксплуатации или вследствие неквалифицированного, обслуживания и ремонта изделия, умышленных или неосторожных действий потребителя или третьих лиц.



### ВНИМАНИЕ!

Если маркировочная (идентификационная) наклейка на изделие TIMBERK (TIMBERK ID) закреплена на изделии не плотно и существует риск ее утери, то вклейте ее в гарантийный талон на последней странице.

Гарантийные обязательства Изготовителя не распространяются на случаи возникновения неисправностей из-за использования химически жесткой воды без применения специальных фильтров-умягчителей, входящих в комплект изделия, либо без дополнительной предварительной фильтрации.

Срок службы фильтра-картриджа в значительной степени зависит от уровня жесткости используемой воды и в процессе эксплуатации фильтрующие свойства фильтра-картриджа снижаются. В результате этого со временем на мембране прибора, а также на поверхностях предметов, находящихся в помещении, где используется изделие, может образоваться белый осадок и налет. Изготовитель рекомендует своевременно производить замену фильтрующих элементов в соответствии с Руководством по эксплуатации.

В случае несоблюдения потребителем правил и рекомендаций Руководства по эксплуатации Изготовитель не несет ответственности за возникшие при этом вышеперечисленные последствия.

Изготовитель не несет гарантийных обязательств в случаях поломки изделия по причине несвоевременной замены и/или профилактической обработки фильтрующих элементов.



### ПРИМЕЧАНИЕ:

Пожалуйста, потребуйте от продавца полностью, четко и правильно заполнить бланк Гарантийного талона и отрывные талоны.

## Бланк гарантийного талона.

Заполняется фирмой-продавцом

Изделие	
Модель	
Серийный номер	
Дата продажи	
Фирма-продавец	
Адрес фирмы продавца	
Телефон фирмы продавца	

**Без подписи покупателя Гарантийный талон является недействительным.**



Печать  
фирмы-продавца

Заполняется сервисным центром

«А»

Дата приема	
Дата выдачи	
Особые отметки	

Печать  
сервисного центра

«Б»

Дата приема	
Дата выдачи	
Особые отметки	

Печать  
сервисного центра

«В»

Дата приема	
Дата выдачи	
Особые отметки	

Печать  
сервисного центра

«Г»

Дата приема	
Дата выдачи	
Особые отметки	

Печать  
сервисного центра

Подписывая данный гарантийный талон, Покупатель признает, что он:

1. Проверил заполнение информации.
2. Получил Руководство по эксплуатации на изделие на русском языке.
3. Владеет всей необходимой информацией о приобретенном изделии и его потребительских свойствах, характеристиках в соответствии со статьей 10 Закона РФ «О защите прав потребителей».
4. Ознакомлен и полностью согласен с условиями и ограничениями гарантийного обслуживания, а также с условиями установки / подключения / сервисного обслуживания / эксплуатации приобретенного изделия.
5. Не имеет претензий к внешнему виду / комплектности / работоспособности (если прибор проверялся в его присутствии при продаже) приобретенного изделия.

Подпись покупателя (с расшифровкой)

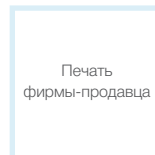
\_\_\_\_\_ / \_\_\_\_\_ /

Дата \_\_\_\_\_

**Отрывной талон«А»**

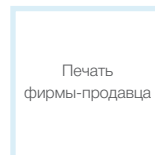
Изделие	
Модель	
Серийный номер	
Дата продажи	
Фирма-продавец	

Заполняется фирмой-продавцом

**Отрывной талон«Б»**

Изделие	
Модель	
Серийный номер	
Дата продажи	
Фирма-продавец	

Заполняется фирмой-продавцом

**Отрывной талон«В»**

Изделие	
Модель	
Серийный номер	
Дата продажи	
Фирма-продавец	

Заполняется фирмой-продавцом

**Отрывной талон«Г»**

Изделие	
Модель	
Серийный номер	
Дата продажи	
Фирма-продавец	

Заполняется фирмой-продавцом



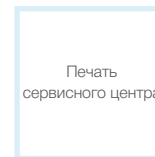
Дата приема	
Дата выдачи	
Номер заказа-наряда	
Проявление дефекта	
Мастер	
Код неисправности	

Заполняется сервисным центром



Дата приема	
Дата выдачи	
Номер заказа-наряда	
Проявление дефекта	
Мастер	
Код неисправности	

Заполняется сервисным центром



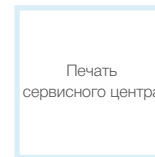
Дата приема	
Дата выдачи	
Номер заказа-наряда	
Проявление дефекта	
Мастер	
Код неисправности	

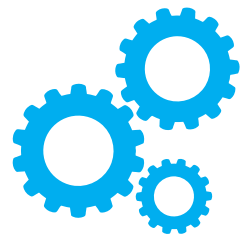
Заполняется сервисным центром



Дата приема	
Дата выдачи	
Номер заказа-наряда	
Проявление дефекта	
Мастер	
Код неисправности	

Заполняется сервисным центром





[www.btpart.ru](http://www.btpart.ru)

Все расходные материалы для  
продукции TIMBERK вы можете  
приобрести на сайте [www.btpart.ru](http://www.btpart.ru)

**Уважаемый покупатель!**

TIMBERK предоставляет вам специальный сервис в рамках программы клиентской поддержки. Теперь вы всегда сможете заказать и оформить доставку на запасные части и расходные материалы, необходимые для оптимальной, качественной работы техники TIMBERK в течение всего срока службы на едином портале [www.btpart.ru](http://www.btpart.ru).

Всю информацию о работе портала вы также всегда сможете увидеть на сайте [www.timberk.com](http://www.timberk.com). Мы искренне надеемся, что этот уникальный дополнительный сервис поможет вам сделать жизнь с TIMBERK еще удобнее!



RU

**Руководство по эксплуатации  
техники Timberk написано  
на английском языке и  
переведено на русский язык.**



BY

В целях информирования покупателей техники Timberk, мы дополнительно сообщаем, что русский является государственным языком в следующих государствах:

- в Российской Федерации
- в Республике Беларусь наряду с белорусским языком
- в частично признанной Южной Осетии наряду с осетинским языком



OS



KZ

Русский язык является официальным языком (во всех случаях другой язык или другие языки выступают как государственный или второй официальный) в следующих государствах и на территориях:



AK



KG

- в Республике Казахстан
- в Киргизской Республике
- в административных единицах Украины, где доля носителей русского языка составляет более 10%, при соответствующем решении местных советов
- в Автономной Республике Крым



UA



TJ

В Республике Таджикистан русский язык признан по Конституции языком межнационального общения.



CIS

Официальным языком международной организации Содружество Независимых Государств (СНГ) является русский язык.



Если вы заметили ошибку в инструкции, пожалуйста, сообщите нам об этом, связавшись с нами по электронной почте, указанной на сайте [www.timberk.com](http://www.timberk.com)

If you found any mistake in this manual please let us know by email listed on [www.timberk.com](http://www.timberk.com)



[www.timberk.com](http://www.timberk.com)

**EAC**